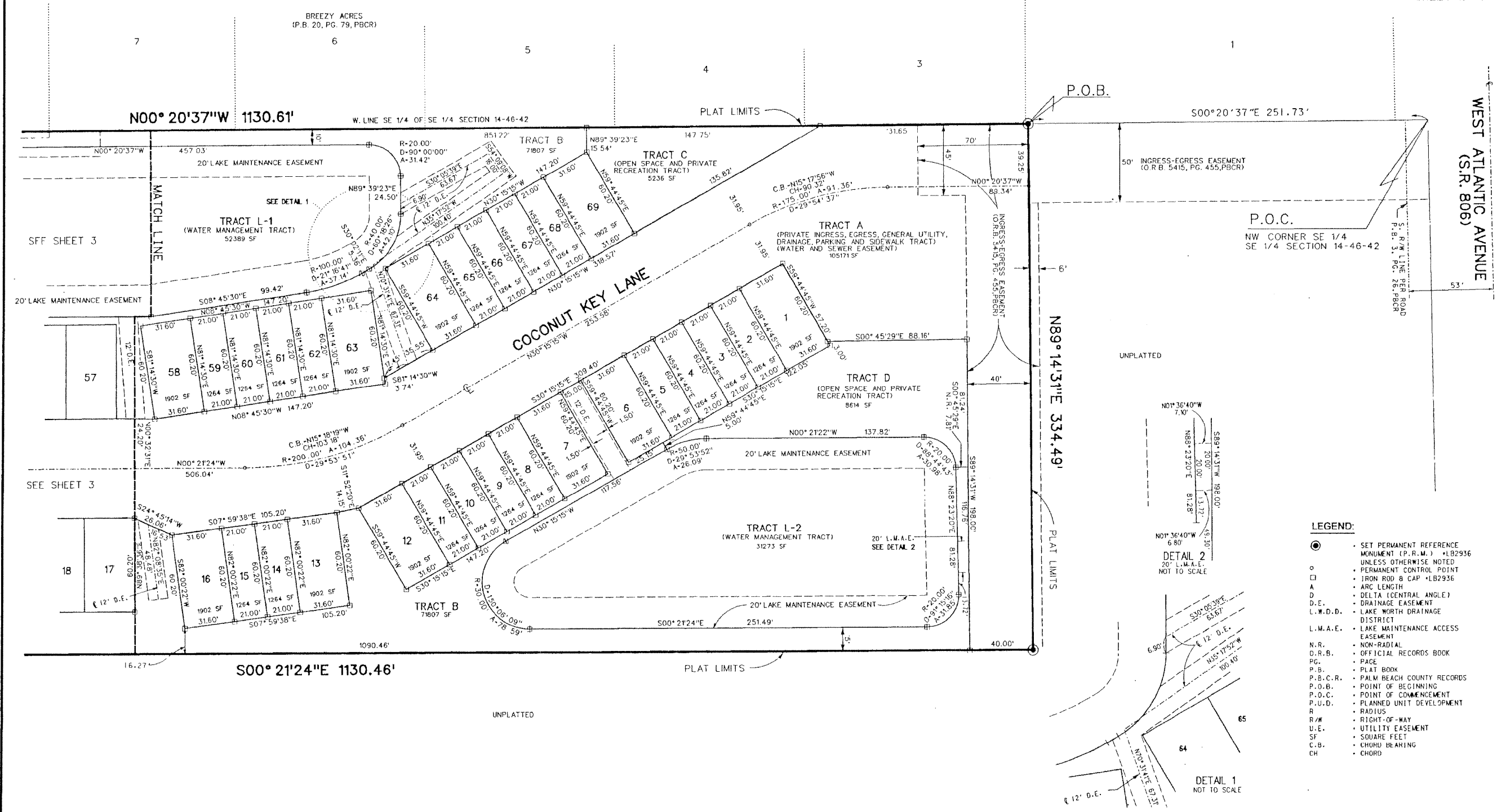
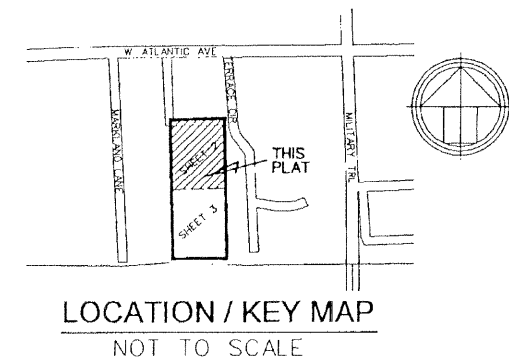
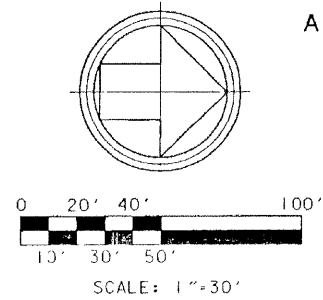


COCONUT KEY

A PORTION OF SECTION 14, TOWNSHIP 46 SOUTH, RANGE 42 EAST,
 CITY OF DELRAY BEACH, PALM BEACH COUNTY, FLORIDA



- LEGEND:**
- SET PERMANENT REFERENCE MONUMENT (P.R.M.) *LB2936 UNLESS OTHERWISE NOTED
 - PERMANENT CONTROL POINT
 - IRON ROD & CAP *LB2936
 - A ARC LENGTH
 - D DELTA (CENTRAL ANGLE)
 - D.E. DRAINAGE EASEMENT
 - L.W.D.D. LAKE WORTH DRAINAGE DISTRICT
 - L.M.A.E. LAKE MAINTENANCE ACCESS EASEMENT
 - N.R. NON-RADIAL
 - D.R.B. OFFICIAL RECORDS BOOK
 - PG. PAGE
 - P.B. PLAT BOOK
 - P.B.C.R. PALM BEACH COUNTY RECORDS
 - P.O.B. POINT OF BEGINNING
 - P.O.C. POINT OF COMMENCEMENT
 - P.U.D. PLANNED UNIT DEVELOPMENT
 - R RADIUS
 - R/W RIGHT-OF-WAY
 - U.E. UTILITY EASEMENT
 - SF SQUARE FEET
 - C.B. CHORD BEARING
 - CH CHORD

FILE: r:\010202\ceddy\p02ppr2.dgn
 DATE: 08-Jun-01 09:33